

### 6.2.1 Removing the battery pack

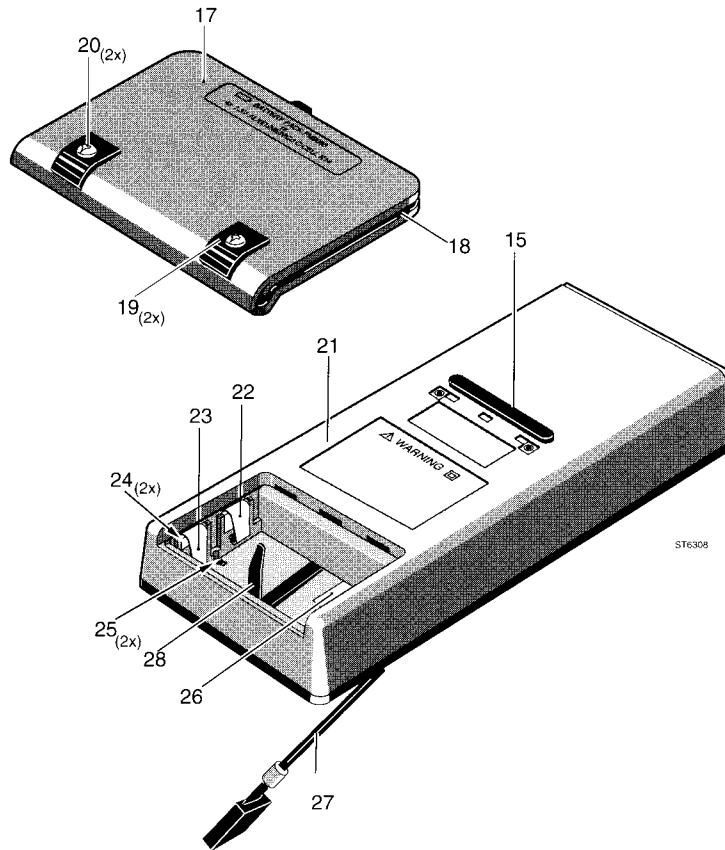


Figure 6.1 Removing the battery pack

1. The battery cover (item 17) is secured to the ScopeMeter with two black M3 Torx screws (item 20). Use a Torx screwdriver to loosen the two screws (do not remove them) from the battery cover.
2. Lift the battery cover from the ScopeMeter.
3. Pull the black battery pull strip (item 28) carefully to lift the battery pack.
4. Remove the battery pack.

### 6.2.2 Opening the ScopeMeter

Referring to figure 6.2, use the following procedure to open the ScopeMeter.

1. Loosen the two black M3 Torx screws (item 4) (do not remove them) from the front cover.
2. Lift the front cover assembly (item 3) from the ScopeMeter.

*NOTE: The gasket, between the front cover and the two case halves, is sealed to, and must remain with, the front cover. The front cover assembly lifts away from the top and bottom case halves easily. Do not damage the gasket or separate it from the front cover. A correctly fitted gasket assures the sealing of the ScopeMeter.*

3. Remove the battery pack (see Section 6.2.1).